



**LOCKWOOD**

# Padlocks & Padlock Accessories





Lockwood padlocks and padlock accessories are quality products designed and manufactured to stringent Lockwood specifications that meets or exceeds the requirements of the Australian Standard AS4145.4 2002 - Part 4: Padlocks.

**Lockwood provides quality padlocks and accessories along with the information to make a correct selection for an extensive range of applications.**

All products carry a security rating prominently displayed on the packaging so the padlock and padlock accessory of the identical rating can be correctly selected maximising the security of the combined padlock and accessory.

### Simulated Attack

The tests simulate various forms of attack with common hand tools. They are far more severe than would normally be encountered as the padlock and padlock accessory are securely held in ideal conditions during the tests.



Pulling



Twisting



Cutting



Impacting



Manipulation



Sawing



Drilling

# Padlocks

## Contents

<b>Description</b>	<b>Page</b>
Introduction	2
Australian Standard - AS 4145.4 2002 - Part 4: Padlocks	4
Corrosion Resistance Rating	4
Choosing the Right Padlock & Padlock Accessory	5
<b>Padlocks</b>	
Handy Lock 110 Series Padlocks	6
General Purpose 120 & 121 Series Padlocks	7
High Security 130 Series Padlocks	8
Handy Lock 150 Series Padlocks	8
Handy Lock 140 & 141 Series Padlocks	9
225 Contract Series Padlocks	10
232 Contract Series Padlocks	10
212 Contract Series Padlocks	11
High Security 214 & 215 Series Padlocks	12
High Security 234 Series Padlocks	13
Maximum Security 256 Series Padlocks	17
Maximum Security 270 Series Padlocks	19
Maximum Security 290 Series Padlocks	20
Maximum Security 301 Series Padlocks	20
Padlock Ordering Procedure	21
Shackles	21
<b>Padlock Accessories</b>	
Padbolts	22
Locking Plates	23
Locking Plates - with Shackle Guard (LH & RH)	24
Hasp and Staples	25
Hasp and Staple - Covered	26
Hasp and Staple - Heavy Duty	27
Hasp and Staple - Hinged	28
Hasp and Staple - Pivoting	29
Chains	30
Padlock Accessory Ordering Procedure	31

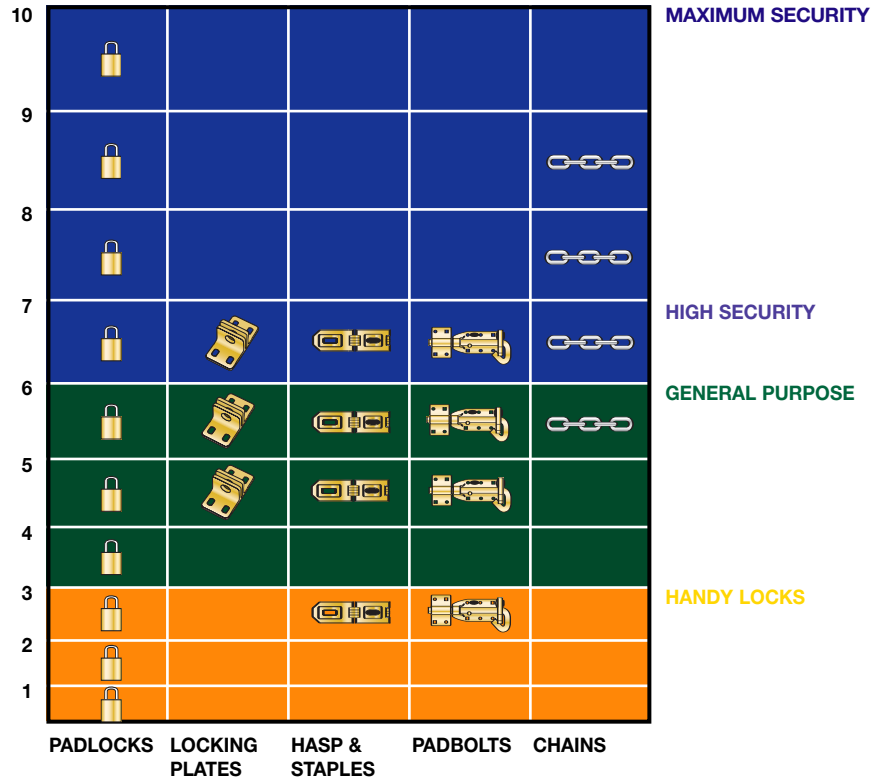
## Australian Standard - AS 4145.4 2002 - Part 4: Padlocks

The Australian Standard AS 4145.4 enables the true evaluation of the physical security and corrosion resistance of padlocks and padlock accessories (excluding chains).

The standard specifies performance requirements and describes test methods for strength, security, function and corrosion. Requirements that relate to security are classified in ten grades, based on performance tests that simulate attack. The security rating is based on the lowest test result achieved. Test methods are specified in detail to ensure reproduction and consistency of assessment. Chains not covered in the standard have been tested using the same test requirements and carry the appropriate Lockwood security rating.

### Security Grading

Performance Ratings Increase in Exponential Increments



### Corrosion Resistance Rating

All Lockwood padlocks and padlock accessories are exposed to an accelerated corrosion test to evaluate their resistance to corrosion. Exposure is to a neutral salt spray in accordance with related Australian standards. Padlocks and padlock accessories are classified in four grades as follows –

#### Grade 1

Dry, protected conditions. Environments that are normally dry, including the majority of interiors.

#### Grade 2

Occasionally damp conditions. Environments that are sometimes damp in the majority of normal rural and suburban localities, including interiors where condensation may occur.

#### Grade 3

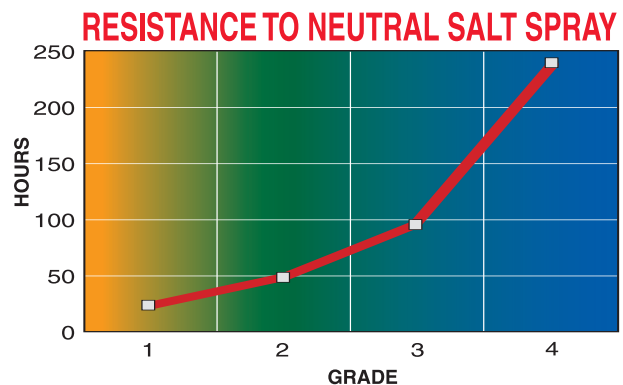
All conditions other than extreme. Environments that are often wet and/or subject to slight pollution, including some particularly damp interiors and the majority of exterior environments.

#### Grade 4

Extreme conditions. Environments in very corrosive localities such as those subject to a combination of industrial and coastal conditions.

The padlocks and padlock accessories are exposed to the neutral salt

spray for up to 240 hours (Grade 4) as shown in the graph below. After the test it must be possible to operate the padlock with its key in the normal manner. All Lockwood padlocks and padlock accessories have been tested and ratings for both security and corrosion resistance are prominently positioned on display packs.



# Padlocks

## Choosing the Right Padlock & Padlock Accessory

- Standard Features
- Lockwood Quality Statement
- Choosing the Right Padlock or Padlock Accessory
- Security Rating & Information
- Corrosion Resistance Rating & Information
- Important Notes

# HIGH SECURITY

**Suitable for High Security Applications**

- Rekeyable Cylinder
- Double Ball Locking for High Security
- High Cut Resistant 8.7mm Hardened Alloy Steel Shackles
- Can be Keyed Alike to Lockwood Door Locks

**Quality, Design and Standards**  
This high quality padlock has been designed and tested to the Australian Standard AS4145.4 2002 which covers Security, Corrosion and Durability.

**Choosing the Right Padlock**  
When making your selection consider the following points:

- The value you place on the property protected.
- The level of protection required: Basic, Good, High or Maximum Security.
- Size and strength of the accessory to which the padlock will be attached.
- The strength of the structure to which the accessory is to be attached.
- The environment in which the padlock is to be used.

It is important to select the padlock and padlock accessory which have the appropriate **Size, Security Rating** and **Corrosion Rating** for your application.

<b>SECURITY RATING</b>	1	2	3	4	5	6	<b>7</b>	8	9	10
------------------------	---	---	---	---	---	---	----------	---	---	----

**Security Rating**  
Rating 1 to 3 - Basic protection for barrier and deterrent applications  
Rating 4 to 6 - Good to high security for general purpose applications  
Rating 7 to 10 - High to maximum security for all applications including commercial and industrial

<b>CORROSION RESISTANCE RATING</b>	1	2	<b>3</b>	4
------------------------------------	---	---	----------	---

**Corrosion Resistance Rating**  
Rating 1 - Dry, protected conditions  
Rating 2 - Occasionally damp conditions  
Rating 3 - All conditions other than extreme  
Rating 4 - Extreme conditions

**ASSA ABLOY**  
ASSA ABLOY Australia Pty Limited  
450 Sherwood Rd, Sherwood Qld 4075  
ABN 90 086 451 907 ©2005  
Visit us at [www.lockweb.com.au](http://www.lockweb.com.au)  
©Registered Trademark of ASSA ABLOY Australia Pty Limited  
Manufactured to ASSA ABLOY Australia Pty Limited specifications in China

9 311847 790520

LOCK UP WITH LOCKWOOD™

**LOCKWOOD GUARANTEED**

**HIGH SECURITY**

234B45/119/DP

Australian Standard Security Rating

Series

Model Number



## Padlocks

### Handy Lock 110 Series Padlocks

The Lockwood Handy Lock 110 Series padlocks are a range of brass padlocks designed for basic protection for barrier and deterrent applications.

#### Features & Specifications

- Solid brass case extrusion.
- Chrome plated, hardened steel shackles.
- Self latching.
- Pin tumbler mechanisms.
- Single locking on 20 and 25 mm padlocks.
- Double locking on 30, 35 and 40 mm padlocks.



#### Security

- Security Rating up to 4
- Corrosion Resistance Rating 2 – 3

### 110 Series Padlock Dimensions & Ratings

	A	B	C	D	E	Security Rating	Corrosion Resistance Rating
110/20/111	20	20.0	3.2	11	10		2
110/25/115	25	24.5	4.0	15	13	1	2
110/30/119	30	27.0	4.8	19	18	2	3
110/35/121	35	29.5	5.5	21	19	3	3
110/40/123	40	32.5	6.4	23	22	4	3



### Available Pack Variations

	DP	2DP	4DP	KA
110/20/111	•	•	•	•
110/25/115	•	•	•	
110/30/119	•	•		
110/35/121	•			
110/40/123	•	•		

# Padlocks

## General Purpose 120 & 121 Series Padlocks

The Lockwood General Purpose 120 and 121 Series padlocks are a range of brass padlocks designed for good to high security for general purpose applications.

### Features & Specifications

- Heavy duty, solid brass case extrusion.
- Heavy duty, chrome plated, hardened alloy steel shackles.
- Tough full body plastic shrouds in 40 and 50 mm padlocks.
- Pin tumbler mechanisms.
- Double locking.
- Self latching.
- Extended shackles on 30 and 40 mm padlocks.

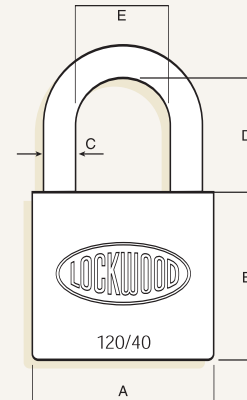


### Security

Security Rating	2 – 6
Corrosion Resistance Rating	3

### 120 Series Padlock Dimensions & Ratings

	A	B	C	D	E	Security Rating	Corrosion Resistance Rating
120/30/118	30	30	5.0	18	17.0	3	3
120/30/150	30	30	5.0	50	17.0	2	3
120/30/180	30	30	5.0	80	17.0	2	3
120/35/123	35	32	6.4	23	18.0	4	3
120/40/125*	40	37	7.1	25	21.0	5	3
120/40/150	40	37	7.1	50	21.0	4	3
120/40/180	40	37	7.1	80	21.0	4	3
120/45/127	45	41	8.0	27	22.5	6	3
120/50/132*	50	46	9.5	32	25.5	6	3
120/60/135	60	50	10.0	35	35.0	6	3



\* Specifications for 121/40 and 121/50 shrouded padlocks as for 120/40 and 120/50.

Note: The extended shackle reduces the shackle resistance to twisting which reduces the overall security rating.

### Available Pack Variations

	DP	2DP	4DP	KA
120/30/118	•	•	•	•
120/30/150	•			
120/30/180	•			
120/35/123	•			
120/40/125	•	•	•	•
120/40/150	•			
120/40/180	•			
120/45/127	•			
120/50/132	•			
120/60/135	•			
121/40/125	•			
121/50/132	•			

# Padlocks

## High Security 130 Series Padlocks

The Lockwood High Security 130 Series padlock is a 70 mm cylindrical stainless steel padlock designed for high security and high corrosion resistance applications.

### Features & Specifications

Precision seam welded stainless steel case with drain holes.

Enclosed 9.5 mm hardened alloy steel shackle.

Non-corroding internal components.

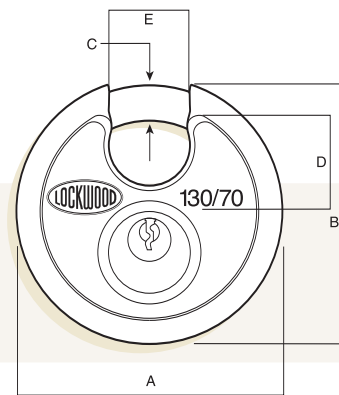
Pin tumbler mechanism.

Key retention in the unlocked position.

Available in DP, KD and KA.

### Security

Security Rating	7
Corrosion Resistance Rating	4



### 130 Series Padlock Dimensions & Ratings

	A	B	C	D	E	Security Rating	Corrosion Resistance Rating
130/70/125	70	67	9.5	16.5	20	7	4

## Handy Lock 150 Series Padlocks

The Lockwood Handy Lock 150 Series padlock is a 25 mm brass case three-wheel combination padlock designed as basic protection for barrier and deterrent applications such as luggage and sports bags.

### Features & Specifications

Solid brass case and wheels.

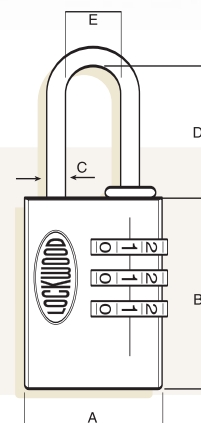
1,000 resettable combinations.

Available in DP only.

### To Change Combination

Initially set to open at '000'

1. Set opening combination and pull out shackle.
2. Rotate shackle 180°, so that shackle aligns with slot.
3. Depress shackle into slot, hold down, set new combination and release shackle.



### 150 Series Padlock Dimensions & Ratings

	A	B	C	D	E	Security Rating	Corrosion Resistance Rating
150/25/118/DP	25	31.5	3.2	22	10	-	2
150/30/125/DP	31	40.0	4.8	25	14	-	2
150/40/130/DP	40	48.0	6.0	30	20	-	2

## Padlocks

### Handy Lock 140 Series Padlocks

The Lockwood Handy Lock 140 Series padlock is a 50 mm stainless steel dial type combination padlock designed as basic protection for barrier and deterrent applications such as school lockers.

#### Features & Specifications

Thousands of possible combinations.  
Steel latch mechanism.  
Dual layer polished stainless steel body.  
Case hardened 8 mm diameter steel shackle.  
Positive three digit dialling gives maximum combinations.  
Anti manipulation feature standard with all models.

Automatic combination scramble when shackle is closed to prevent unauthorised reopening of padlock.

Available in DP, RC (Random Codes) and AC (Alike Codes).



### Handy Lock 141 Series Padlocks

The Lockwood Handy Lock 141 Series padlock is a 50 mm stainless steel dial type combination padlock with key override. Designed as basic protection for barrier and deterrent applications such as school lockers where access by authorised staff is required.

#### Features & Specifications

Key override for immediate access by authorised staff.  
Thousands of possible combinations.  
Steel latch mechanism.  
Dual layer polished stainless steel body.  
Case hardened 8 mm diameter steel shackle.  
Brass 4 pin tumbler mechanism.  
Brightly coloured dial for easy identification.

Positive three digit dialling gives maximum combinations.

Anti manipulation feature standard with all models.

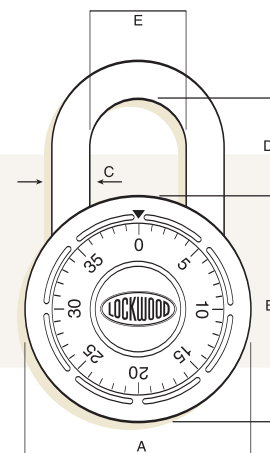
Automatic combination scramble when shackle is closed to prevent unauthorised reopening of padlock. Keying and system management using Lockwood ProMaster software. Combination code charts supplied with every order.

Available in RCKA (Random Codes, Keyed Alike) only.  
Minimum order quantity and minimum pack size 50.



### 140 & 141 Series Padlock Dimensions & Ratings

	A	B	C	D	E	Security Rating	Corrosion Resistance Rating
140/50/122	50	50	8	22	21	3	3
141/50/122	50	50	8	22	21	3	3



## Padlocks

### 225 Contract Series Padlocks

The Lockwood 225 Contract Series padlock is a 40 mm zinc diecast padlock with a powdercoated finish.

**Rating**  
Corrosion Resistance Rating 2

#### Features & Specifications

Primarily used for special keying applications.  
High purity, diecast, zinc alloy case.  
6.4 mm zinc plated hardened steel shackle.  
Disc tumbler mechanism.  
Self latching, single locking mechanism.

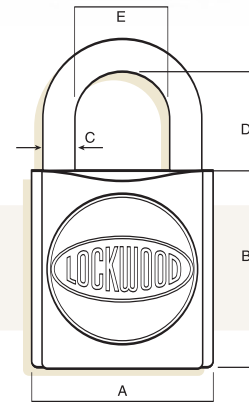
#### Available Pack Variations

	RKA	LS	KA	KD
225/40/119	•	•	•	•

Note: Standard key 003 model also available.

#### 225 Contract Series Padlock Dimensions

	A	B	C	D	E
225/40/119	38	38	6.4	19	19.5



### 232 Contract Series Padlocks

The Lockwood 232 Contract Series padlock is a 30 mm brass padlock.

**Rating**  
Corrosion Resistance Rating 3

#### Features & Specifications

Primarily used for special keying applications.  
Solid brass case extrusion.  
4.8 mm stainless steel shackle.  
6 Pin tumbler mechanism.  
Self latching or deadlocking (key retained).  
Double locking.  
Extended shackle models.

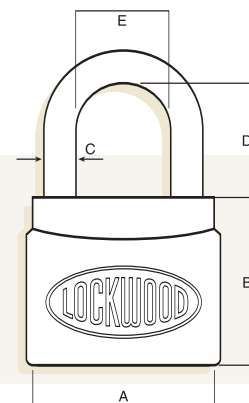
**Custom Marking**  
Custom marking is available. Pricing and availability on application.

#### Available Pack Variations

	RKA	LS	KA	KD	DLS	DKA	DKD
232/30/619	•	•	•	•	•	•	•
232/30/638	•	•	•	•			
232/30/650	•	•	•	•			
232/30/680	•	•	•	•			

#### 232 Contract Series Padlock Dimensions

	A	B	C	D	E
232/30/619	29	34	4.8	19	16
232/30/638	29	34	4.8	38	16
232/30/650	29	34	4.8	50	16
232/30/680	29	34	4.8	80	16



# Padlocks

## 212 Contract Series Padlocks

The Lockwood 212 Contract Series padlock is a durable and rugged 30 mm brass padlock that has been specifically designed to meet the requirements of safety lockout applications, along with a range of up to eight clearly identified coloured jackets, it is ready to be custom marked to make lock identification easy.

### Rating

Corrosion Resistance Rating 3

### Custom Marking

Custom marking is available. Pricing and availability on application.

### Features & Specifications

- Primarily used for special keying applications.
- Solid brass 30 mm case extrusion.
- 4.8 mm stainless steel shackle.
- 6 Pin tumbler mechanism.
- Deadlocking (key retained) or self latching.
- Double locking.
- Standard with durable jacket in 8 colours.
- Extended shackle models.



### Available Pack Variations

	MK	LS	KA	KD
212/19/D/11	•	•	•	•
212/38/D/11	•	•	•	•
212/50/D/11	•	•	•	•
212/80/D/11	•	•	•	•

### 212 Contract Series Padlock Dimensions

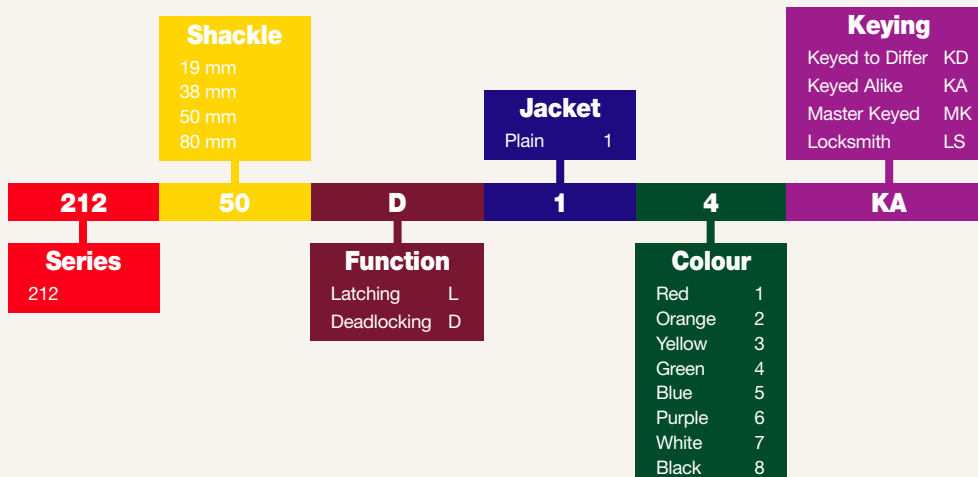
	A	B	C	D	E
212/19/D/11	29	34	4.8	19	16
212/38/D/11	29	34	4.8	38	16
212/50/D/11	29	34	4.8	50	16
212/80/D/11	29	34	4.8	80	16



Note: Deadlocking function and red jacket colour option shown above. Other options available.

### Ordering Procedure

#### 212/50/D/14/KA



## High Security 214 & 215 Series Aluminium Case Padlocks

The Lockwood 214 and 215 Contract Series padlocks are a range of durable and rugged lightweight 40 mm aluminium case padlocks with full commercial grade special keying. The range has been specifically designed to meet the requirements of safety lockout applications for commercial and industrial situations. Along with a range of up to eight clearly identified coloured jackets, it is ready to be custom marked to make lock identification easy.

### Features & Specifications

- Heavy duty, aluminium case extrusion.
- High corrosion resistant 5.0 mm (214 model) or 6.4 mm (215 model) stainless steel shackle.
- Self latching double ball locking.
- Extended shackle model.
- Can be converted from self latching to deadlocking (key retained) by simply relocating the cam plate pin in the cylinder assembly.
- Clearly identified jacket in 8 colours.

### Cylinders

234B top loaded cylinders are rekeyable in standard 5 pin with 6 pin capability (nickel silver keys with 6 pin padlocks).

234B cylinders are preloaded with one length top pins, stainless steel pin springs and circlip using a Lockwood 570 barrel.

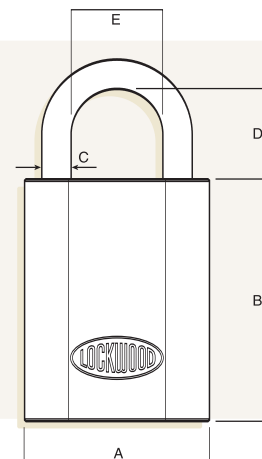
### Custom Marking

Custom marking is available. Pricing and availability on application.



## 214 & 215 Series Padlock Dimensions & Ratings

	A	B	C	D	E	Security Rating	Corrosion Resistance Rating
214A40/619	40	52	5.0	19	21	4	4
214A40/650	40	52	5.0	50	21	3	4
215A40/619	40	52	6.4	19	20	6	4
215A40/650	40	52	6.4	50	20	5	4



## Available Pack Variations

	RKA	BK	5KA	5KD	6KA	6KD	6MK	DRKA	D5KA	D5KD	D6KA	D6KD	D6MK
214A40/619	•	•	•	•	•	•	•	•	•	•	•	•	•
214A40/650	•	•	•	•	•	•	•	•	•	•	•	•	•
215A40/619	•	•	•	•	•	•	•	•	•	•	•	•	•
215A40/650	•	•	•	•	•	•	•	•	•	•	•	•	•

## Padlocks

### High Security 234 Series Brass Case Padlocks

The Lockwood High Security 234 Series Brass Case padlocks are a range of padlocks with shackles designed for high security and high corrosion applications including commercial and industrial situations.

#### Features & Specifications

Heavy duty, solid brass case extrusion.

High corrosion resistant 8.7 mm boron steel Quick-Change™ shackle.

Self latching double ball locking.

Extended shackle models.

Stainless steel shackle models.

Standard as self latching function.

Can be converted to deadlocking (key retained) by simply relocating the cam plate pin in the cylinder assembly.

#### Cylinders

234B top loaded cylinders are rekeyable in standard 5 pin with 6 pin capability (nickel silver keys with 6 pin padlocks).

234B cylinders are preloaded with one length top pins, stainless steel pin springs and circlip using a Lockwood 570 barrel.

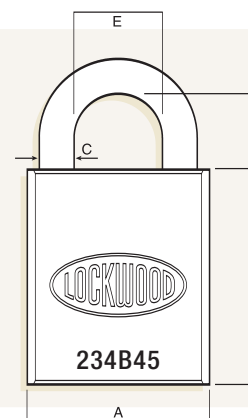
#### Custom Marking

Custom marking is available. Pricing and availability on application.



### 234 Series Padlock Dimensions & Ratings

	A	B	C	D	E	Security Rating	Corrosion Resistance Rating
234B45/119	45	55	8.7	19	22	7	3
234B45/138	45	55	8.7	38	22	6	3
234B45/148	45	55	8.7	48	22	6	3
234B45/190	45	55	8.7	90	22	5	3



### Available Pack Variations

	DP	RKA	BK	5KA	5KD	6KA	6KD	6MK	DRKA	D5KA	D5KD	D6KA	D6KD	D6MK
234B45			•											
234B45/119	•	•	•	•	•	•	•	•	•	•	•	•	•	•
234B45/138	•	•		•	•	•	•	•	•	•	•	•	•	•
234B45/148	•	•		•	•	•	•	•	•	•	•	•	•	•
234B45/190	•	•		•	•	•	•	•	•	•	•	•	•	•



## Padlocks

### High Security 234 Series Steel Case Padlocks

The Lockwood High Security 234 Steel Series padlocks are a range of padlocks with shackles designed for high security and high corrosion applications including commercial and industrial situations for added protection against attack.

#### Features & Specifications

Heavy duty, solid steel case extrusion.

High corrosion resistant 8.7 mm chrome molybdenum steel alloy

Quick-Change™ shackle.

Self latching double ball locking.

Extended shackle models.

Standard as self latching function.

Can be converted to deadlocking (key retained) by simply relocating the cam plate pin in the cylinder assembly.

#### Cylinders

234B top loaded cylinders are rekeyable in standard 5 pin with 6 pin capability (nickel silver keys with 6 pin padlocks).

234B cylinders are preloaded with one length top pins, stainless steel pin springs and circlip using a Lockwood 570 barrel.

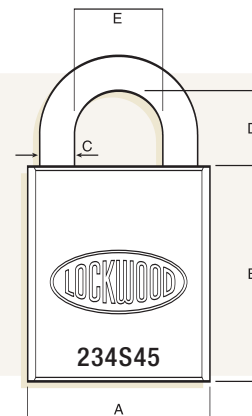
#### Custom Marking

Custom marking is available. Pricing and availability on application.



### 234 Series Padlock Dimensions & Ratings

	A	B	C	D	E	Security Rating	Corrosion Resistance Rating
234S45/519	45	55	8.7	19	22	8	3
234S45/538	45	55	8.7	38	22	7	3
234S45/548	45	55	8.7	48	22	7	3
234S45/590	45	55	8.7	90	22	6	3



### Available Pack Variations

	DP	RKA	BK	5KA	5KD	6KA	6KD	6MK	DRKA	D5KA	D5KD	D6KA	D6KD	D6MK
234S45			•											
234S45/519	•	•	•	•	•	•	•	•	•	•	•	•	•	•
234S45/538	•	•		•	•	•	•	•	•	•	•	•	•	•
234S45/548	•	•		•	•	•	•	•	•	•	•	•	•	•
234S45/590	•	•		•	•	•	•	•	•	•	•	•	•	•

# Padlocks

## High Security 234 Series Steel Closed Case Padlocks

The Lockwood High Security 234 Series Steel Closed Case padlocks are a range of padlocks with shackles designed for high security and high corrosion applications including commercial and industrial situations for added protection against attack.

### Features & Specifications

- Heavy duty, solid steel case extrusion.
- High corrosion resistant 8.7 mm chrome molybdenum steel alloy Quick-Change™ shackle.
- Self latching double ball locking.
- Extended shackle models.
- Stainless steel shackle models.
- Standard as self latching function.
- Can be converted to deadlocking (key retained) by simply relocating the cam plate pin in the cylinder assembly.

### Cylinders

234B top loaded cylinders are rekeyable in standard 5 pin with 6 pin capability (nickel silver keys with 6 pin padlocks). 234B cylinders are preloaded with one length top pins, stainless steel pin springs and circlip using a Lockwood 570 barrel.

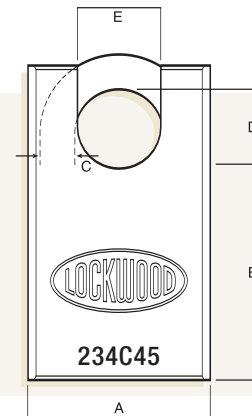
### Custom Marking

Custom marking is available. Pricing and availability on application.



### 234 Series Padlock Dimensions & Ratings

	A	B	C	D	E	Security Rating	Corrosion Resistance Rating
234C45/519	45	79	8.7	19	19	8	3



### Available Pack Variations

	DP	RKA	BK	5KA	5KD	6KA	6KD	6MK	DRKA	D5KA	D5KD	D6KA	D6KD	D6MK
234C45			•											
234C45/519	•	•	•	•	•	•	•	•	•	•	•	•	•	•



## Padlocks

### High Security 234 Series Stainless Steel Case Padlocks

The Lockwood High Security 234 Series Stainless Steel padlocks are a range of padlocks with stainless steel shackles designed for high security and high corrosion marine applications.

#### Features & Specifications

Heavy duty, solid stainless steel case extrusion. High corrosion resistant 8.7 mm stainless steel Quick-Change™ shackle.

Self latching double ball locking.

Extended shackle models.

Standard as self latching function.

Can be converted to deadlocking (key retained) by simply relocating the cam plate pin in the cylinder assembly.

#### Cylinders

234B top loaded cylinders are rekeyable in standard 5 pin with 6 pin capability (nickel silver keys with 6 pin padlocks).

234B cylinders are preloaded with one length top pins, stainless steel pin springs and circlip using a Lockwood 570 barrel.

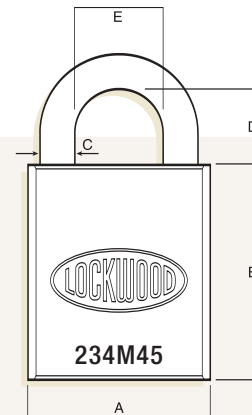
#### Custom Marking

Custom marking is available. Pricing and availability on application.



### 234 Series Padlock Dimensions & Ratings

	A	B	C	D	E	Security Rating	Corrosion Resistance Rating
234M45/619	45	55	8.7	19	22	7	4
234M45/638	45	55	8.7	38	22	6	4
234M45/648	45	55	8.7	48	22	6	4
234M45/690	45	55	8.7	90	22	5	4



### Available Pack Variations

	DP	RKA	BK	5KA	5KD	6KA	6KD	6MK	DRKA	D5KA	D5KD	D6KA	D6KD	D6MK
234M45			•											
234M45/619	•	•	•	•	•	•	•	•	•	•	•	•	•	•
234M45/638	•	•	•	•	•	•	•	•	•	•	•	•	•	•
234M45/648	•	•	•	•	•	•	•	•	•	•	•	•	•	•
234M45/690	•	•	•	•	•	•	•	•	•	•	•	•	•	•

# Padlocks

## Maximum Security 256 Series Steel Case Padlocks

The Lockwood Maximum Security 256 Series Steel padlocks are a range of padlocks with stainless steel shackles designed for maximum security and high corrosion including commercial and industrial situations.

### Features & Specifications

Heavy duty, solid steel case extrusion.  
Tough high corrosion resistant 11 mm chrome molybdenum steel alloy Quick-Change™ shackle.  
Deadlocking double ball locking.  
Extended shackle models.  
Standard as deadlocking (key retained) function.  
Can be converted to self latching by simply relocating the cam plate pin in the cylinder assembly.

### Cylinders

234B top loaded cylinders are rekeyable in standard 5 pin with 6 pin capability (nickel silver keys with 6 pin padlocks).  
234B cylinders are preloaded with one length top pins, stainless steel pin springs and circlip using a Lockwood 570 barrel.

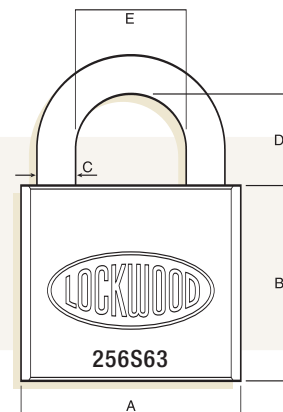
### Custom Marking

Custom marking is available. Pricing and availability on application.



## 256 Series Padlock Dimensions & Ratings

	A	B	C	D	E	Security Rating	Corrosion Resistance Rating
256S63/125	63	56	11	25	32	9	4
256S63/150	63	56	11	50	32	8	4



## Available Pack Variations

	RKA	BK	5KA	5KD	6KA	6KD	6MK	DRKA	D5KA	D5KD	D6KA	D6KD	D6MK
256S63/125	•	•	•	•	•	•	•	•	•	•	•	•	•
256S63/150	•	•	•	•	•	•	•	•	•	•	•	•	•



## Padlocks

### Maximum Security 256 Series Stainless Steel Case Padlocks

The Lockwood Maximum Security 256 Series Stainless Steel padlocks are a range of padlocks with steel shackles designed for high security and high corrosion marine applications.

#### Features & Specifications

Heavy duty, solid stainless steel case extrusion.

Tough high corrosion resistant 11 mm stainless steel Quick-Change™ shackle.

Deadlocking double ball locking.

Extended shackle models.

Standard as deadlocking (key retained) function.

Can be converted to self latching by simply relocating the cam plate pin in the cylinder assembly.

#### Cylinders

234B top loaded cylinders are rekeyable in standard 5 pin with 6 pin capability (nickel silver keys with 6 pin padlocks).

234B cylinders are preloaded with one length top pins, stainless steel pin springs and circlip using a Lockwood 570 barrel.

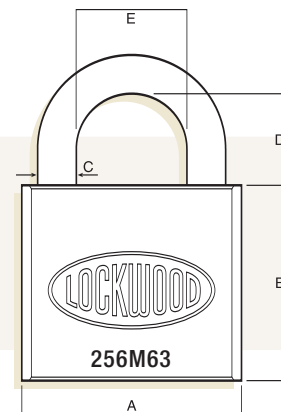
#### Custom Marking

Custom marking is available. Pricing and availability on application.



### 256 Series Padlock Dimensions & Ratings

	A	B	C	D	E	Security Rating	Corrosion Resistance Rating
256M63/625	63	56	11	25	32	8	4
256M63/650	63	56	11	50	32	7	4



### Available Pack Variations

	RKA	BK	5KA	5KD	6KA	6KD	6MK	DRKA	D5KA	D5KD	D6KA	D6KD	D6MK
256M63/625	•	•	•	•	•	•	•	•	•	•	•	•	•
256M63/650	•	•	•	•	•	•	•	•	•	•	•	•	•

## Padlocks

### Maximum Security 270 Series Steel Case Padlocks

The Lockwood Maximum Security 270 Series Steel padlock features a high strength steel shackle designed for maximum security and high corrosion including commercial and industrial situations.

#### Features & Specifications

Heavy duty, solid steel case extrusion.  
Tough high corrosion resistant 10 mm chrome molybdenum steel alloy shackle.  
Deadlocking double ball locking.  
Standard as deadlocking (key retained) function.

#### Cylinders

234B top loaded cylinders are rekeyable in standard 5 pin with 6 pin capability (nickel silver keys with 6 pin padlocks).  
234B cylinders are preloaded with one length top pins, stainless steel pin springs and circlip using a Lockwood 570 barrel.

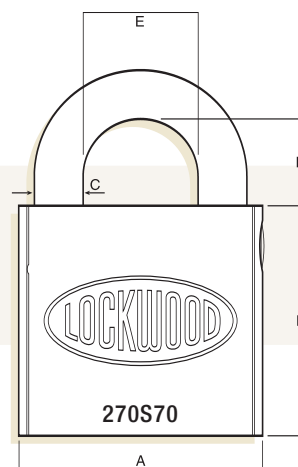
#### Custom Marking

Custom marking is available. Pricing and availability on application.



### 270 Series Padlock Dimensions & Ratings

	A	B	C	D	E	Security Rating	Corrosion Resistance Rating
270S70/125	70	66	14	25	33	9	4



### Available Pack Variations

	RKA	BK	5KA	5KD	6KA	6KD	6MK	DRKA	D5KA	D5KD	D6KA	D6KD	D6MK
270S70/125	•	•	•	•	•	•	•	•	•	•	•	•	•

## Padlocks

### Maximum Security 290 Series Steel Case Monoblock Padlock

The Lockwood Maximum Security 290 Series Steel padlock features a high strength steel shackle designed for maximum security and high corrosion including commercial and industrial situations.

#### Features & Specifications

Heavy duty, solid steel case extrusion.  
Tough high corrosion resistant 14.5 mm 440 grade steel alloy shackle.  
Standard as deadlocking function.

#### Cylinders

234B top loaded cylinders are rekeyable in standard 5 pin with 6 pin capability (nickel silver keys with 6 pin padlocks).  
234B cylinders are preloaded with one length top pins, stainless steel pin springs and circlip with a Lockwood 570 barrel.

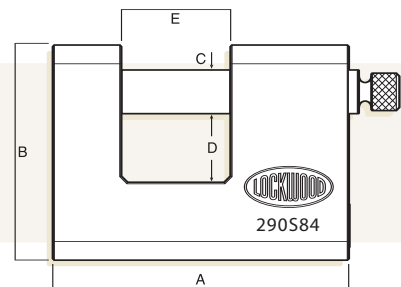
#### Custom Marking

Custom marking is available. Pricing and availability on application.



### 290 Series Padlock Dimensions & Ratings

	A	B	C	D	E	Security Rating	Corrosion Resistance Rating
290S84/120	95	69	14.5	21.5	35	10	4



### Available Pack Variations

	RKA	BK	5KA	5KD	6KA	6KD	6MK	DRKA	D5KA	D5KD	D6KA	D6KD	D6MK
290S84/120	•	•	•	•	•	•	•	•	•	•	•	•	•

### Maximum Security 301 Series Padlock

The Lockwood Maximum Security 301 Series padlock features a high strength steel shackle designed for maximum security and high corrosion including commercial and industrial situations.

#### Features & Specifications

Heavy duty, solid steel case extrusion.  
Tough high corrosion resistant 11 mm chrome molybdenum steel alloy shackle.  
Deadlocking double ball locking.  
Standard as deadlocking function.

#### Cylinders

530 top loaded cylinder are rekeyable in standard 5 pin with 6 pin capability.

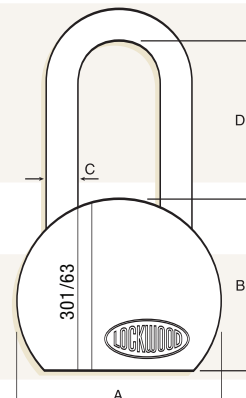
#### Custom Marking

Custom marking is available. Pricing and availability on application.



### 301 Series Padlock Dimensions & Ratings

	A	B	C	D	E	Security Rating	Corrosion Resistance Rating
301/63/154	63	55	11	48	24	8	3



### Available Pack Variations

	DP	BK
301/63/154	•	•

# Padlocks

## Padlock Ordering Procedure & Shackles

234B/45/119/DP

234		B		45	1	19	DP			
Padlock Series		Case Configuration		Case Nominal size in mm	Shackle Material		Shackle Opening Nominal vertical clearance in mm		Pack Types and Keying	
Handy Lock	110	Brass	B		Alloy Steel	1		Single Display Pack	DP	
General Purpose	120	Steel	S		Chrome Molybdenum	5		Two Display Pack	2DP	
General Purpose with Shroud	121	Closed (Shrouded) Steel	C		Stainless Steel	6		Four Display Pack	4DP	
High Security Cylindrical	130	Stainless Steel (Marine application)	M					Keyed Alike	KA	
Handy Lock Dial Combination	140							5 Pin Random, Keyed Alike carton	RKA	
Handy Lock Dial Combination with Key Override	141							5 Pin Keyed Alike	5KA	
Handy Lock Wheel Combination	150					5 Pin Keyed to Differ	5KD			
Contract	212					6 Pin Keyed Alike	6KA			
Contract	225					6 Pin Keyed to Differ	6KD			
Contract	232					6 Pin Master Keyed	6MK			
Contract	214					Bulk	BK			
Contract	215					Bulk (Deadlocking)	DBK			
High Security	234					Locksmith	LS			
High Security	256					Random Codes, Keyed Alike (141 Series)	RCKA			
Maximum Security	270					Allike Codes (140 Series)	AC			
Maximum Security	290					Random Codes (140 Series)	RC			
Maximum Security	301									

Please note: In order to simplify the process of ordering keyed alike and master keyed padlocks, the keying component is incorporated into the product number as shown in the above diagram and the list pricing. This means there is no longer a requirement for separate keying charges on padlocks.

The master key MK code covers the following keying options: master keyed, grand master keyed and maison keyed.

When ordering MK padlocks please specify the keying details.

### Shackles

#### 214 Series

214/619	Stainless Steel 19mm clearance
214/650	Stainless Steel 50mm clearance

#### 215 Series

215/619	Stainless Steel 19mm clearance
215/650	Stainless Steel 50mm clearance

#### 234 Series

234/119	Boron Steel shackle 19 mm clearance
234/138	Boron Steel shackle 38 mm clearance
234/148	Boron Steel shackle 48 mm clearance
234/190	Boron Steel shackle 90 mm clearance
234/519	Chrome Molybdenum Steel shackle 19mm clearance
234/538	Chrome Molybdenum Steel shackle 38mm clearance
234/548	Chrome Molybdenum Steel shackle 48mm clearance
234/590	Chrome Molybdenum Steel shackle 90mm clearance
234/619	Stainless Steel shackle 19 mm clearance
234/638	Stainless Steel shackle 38 mm clearance
234/648	Stainless Steel shackle 48 mm clearance
234/690	Stainless Steel shackle 90 mm clearance

#### 256 Series

256/125	Chrome Molybdenum Steel shackle 25 mm clearance
256/150	Chrome Molybdenum Steel shackle 50 mm clearance
256/625	Stainless Steel shackle 25 mm clearance
256/650	Stainless Steel shackle 50 mm clearance

#### 270 Series

270/125	Chrome Molybdenum Steel shackle 25 mm clearance
---------	---

#### 290 Series

290/120	Standard 440 Steel bolt
---------	-------------------------

## Padbolts

Lockwood Padbolts are designed for both barrier and deterrent applications and high security.

### Features & Specifications

- Hardened steel shackle cover for added strength.
- High cut resistant hardened steel construction.
- Tamper resistant fasteners included.
- 9.5 mm bolt diameter.
- Available with or without padlocks.

### Security

Security Rating 3, 5, 6 & 7  
Corrosion Rating 3

The security rating was achieved using the fasteners supplied in the pack. The use of fasteners other than those supplied may affect the security of this product.

### Pack Variations

Available in display pack only.

### Choosing the Right Padlock

For the best results it is recommended that a Lockwood padlock with the same security rating as the accessory be selected.

When the padlock and accessory are combined the lower of the two respective ratings will apply.

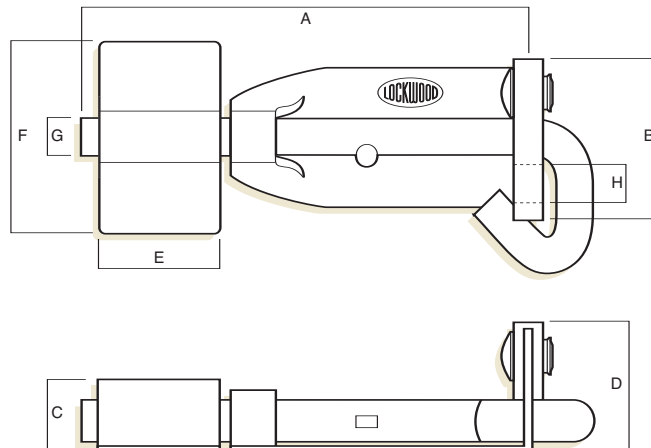
### Catalogue Number

- PA/31/100/DP 100 mm long Padbolt
- PA/32/100/DP 100 mm long Padbolt with 30 mm padlock
- PA/31/150/DP 150 mm long Padbolt
- PA/32/150/DP 150 mm long Padbolt with 40 mm padlock
- PA/31/200/DP 200 mm long Padbolt
- PA/32/200/DP 200 mm long Padbolt with 50 mm padlock
- PA/33/200/DP 200 mm long heavy duty



## Padbolts – Dimensions & Ratings

	A	B	C	D	E	F	G	H	Security Rating	Corrosion Resistance Rating
PA/31/100/DP & PA/32/100/DP	100	35	15	28	25	42	9.5	8.3	3	3
PA/31/150/DP & PA/32/150/DP	150	52	20	38	40	63	12.5	11	5	3
PA/31/200/DP & PA/32/200/DP	200	52	20	38	40	63	12.5	11	6	3
PA/33/200/DP	200	52	20	38	40	63	12.5	11	7	3



# Padlock Accessories

## Locking Plates

Lockwood Locking Plates are designed for surface mounting and side mounting where General Purpose Security is required.

### Features & Specifications

- High cut resistant hardened steel construction.
- Bolt through fixing for added strength and security on surface mounted plates.
- Tamper resistant concealed fixing on side mounted plates.
- All fasteners included.

### Security

Security Rating 5 & 6  
Corrosion Rating 3

The security rating was achieved using the fasteners supplied in the pack. The use of fasteners other than those supplied may affect the security of this product.

### Pack Variations

Available in display pack only.

### Choosing the Right Padlock

For the best results it is recommended that a Lockwood padlock with the same security rating as the accessory be selected.

When the padlock and accessory are combined the lower of the two respective ratings will apply.

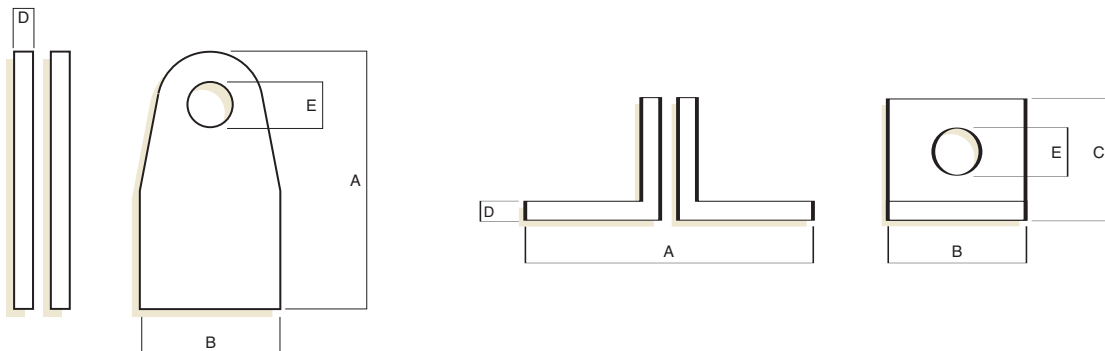
### Catalogue Number

- PA/13/70/DP For non handed, surface mounted applications
- PA/14/70/DP For non handed, side mounted applications



## Locking Plates – Dimensions & Ratings

	A	B	C	D	E	Security Rating	Corrosion Resistance Rating
PA/14/70/DP	75	35	N/A	5	12	5	3
PA/13/70/DP	75	40	34	5	13	6	3



## Locking Plates with Shackle Guard (left and right hand)

Lockwood Locking Plates with Shackle Guard are designed for surface mounting where high security is required.

### Features & Specifications

- Hardened steel shackle guard.
- High cut resistant hardened steel construction.
- Bolt through fixing for added strength and security.
- High tensile 6 mm coach bolts, nuts and washers included.

### Security

Security Rating	7
Corrosion Rating	3

The security rating was achieved using the fasteners supplied in the pack. The use of fasteners other than those supplied may affect the security of this product.

### Pack Variations

Available in display pack only.

### Choosing the Right Padlock

For the best results it is recommended that a Lockwood padlock with the same security rating as the accessory be selected.

When the padlock and accessory are combined the lower of the two respective ratings will apply.

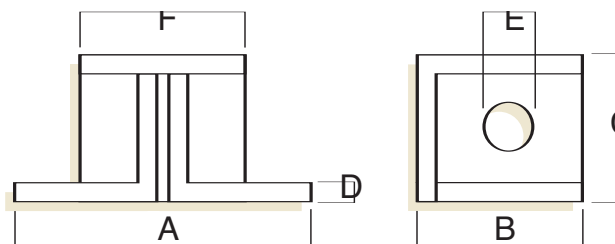
### Catalogue Number

PA/11/70/DP	For applications with hinges on the right and opening toward installer (LH).
PA/12/70/DP	For applications with hinges on the left and opening toward installer (RH).



## Locking Plates with Shackle Guard – Dimensions & Ratings

	A	B	C	D	E	F	Security Rating	Corrosion Resistance Rating
PA/11/70/DP	70	40	39	5	13	50	7	3
PA/12/70/DP	70	40	39	5	13	50	7	3



## Padlock Accessories

### Hasp and Staple

Lockwood Hasp and Staples are designed for both barrier and deterrent applications and general purpose security.

#### Features & Specifications

High cut resistant hardened steel construction with strengthening ribs and rolled edges for added protection.

Tamper resistant concealed fixing.

All fasteners included.

Available with or without padlocks.

#### Security

Security Rating 3 & 5

Corrosion Rating 3

The security rating was achieved using the fasteners supplied in the pack. The use of fasteners other than those supplied may affect the security of this product.

#### Pack Variations

Available in display pack only.

#### Choosing the Right Padlock

For the best results it is recommended that a Lockwood padlock with the same security rating as the accessory be selected.

When the padlock and accessory are combined the lower of the two respective ratings will apply.

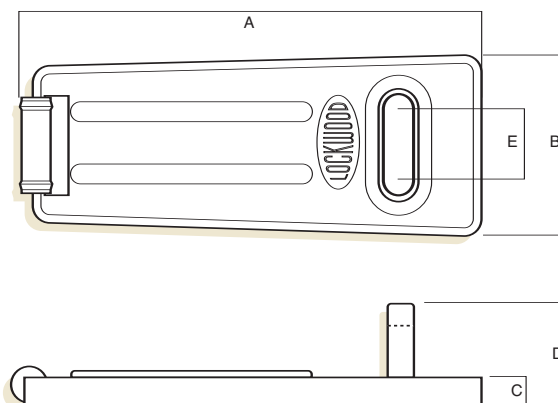
#### Catalogue Number

PA/21/90/DP	90 mm long Hasp and Staple
PA/22/90/DP	90 mm long Hasp and Staple with 30 mm padlock
PA/21/120/DP	120 mm long Hasp and Staple
PA/22/120/DP	120 mm long Hasp and Staple with 40 mm padlock



### Hasp and Staple – Dimensions & Ratings

	A	B	C	D	E	Security Rating	Corrosion Resistance Rating
PA/21/90/DP & PA/22/90/DP	90	37	6.5	23	10	3	3
PA/21/120/DP & PA/22/120/DP	120	45	7.5	28.5	12	5	3



## Hasp and Staple – Covered

Lockwood Covered Hasp and Staples are designed for general purpose security applications.

### Features & Specifications

High cut resistant hardened steel construction with strengthening ribs and rolled edges for added protection.

Tamper resistant concealed fixing.

All fasteners included.

Available with or without padlocks.

### Security

Security Rating 6

Corrosion Rating 3

The security rating was achieved using the fasteners supplied in the pack. The use of fasteners other than those supplied may affect the security of this product.

### Pack Variations

Available in display pack only.

### Choosing the Right Padlock

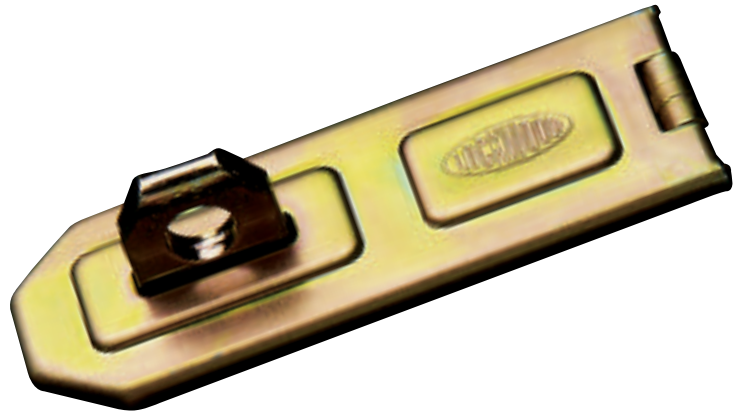
For the best results it is recommended that a Lockwood padlock with the same security rating as the accessory be selected.

When the padlock and accessory are combined the lower of the two respective ratings will apply.

### Catalogue Number

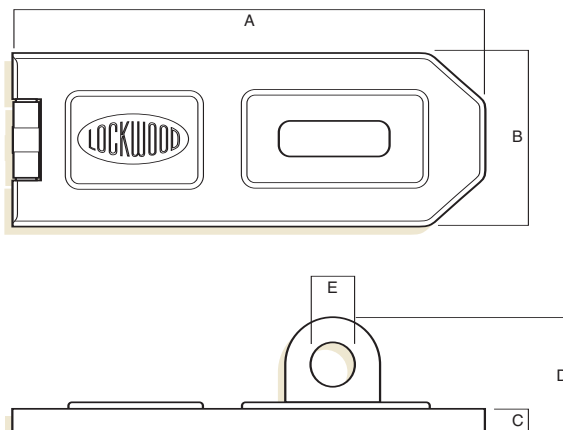
PA/21/130/DP 130 mm long Hasp and Staple

PA/22/130/DP 130 mm long Hasp and Staple with 50 mm padlock



## Hasp and Staple - Covered – Dimensions & Ratings

	A	B	C	D	E	Security Rating	Corrosion Resistance Rating
PA/21/130/DP & PA/22/130/DP	125	46	9	31	12.5	6	3



## Padlock Accessories

### Hasp and Staple – Heavy Duty

Lockwood Heavy Duty Hasp and Staples are designed for high security applications.

#### Catalogue Number

PA/21/190/DP 190 mm long Hasp and Staple

#### Features & Specifications

High cut resistant hardened steel construction.  
Bolt through tamper resistant concealed fixing for added strength and security.  
All fasteners included.

#### Security

Security Rating 7  
Corrosion Rating 3

The security rating was achieved using the fasteners supplied in the pack. The use of fasteners other than those supplied may affect the security of this product.

#### Pack Variations

Available in display pack only.

#### Choosing the Right Padlock

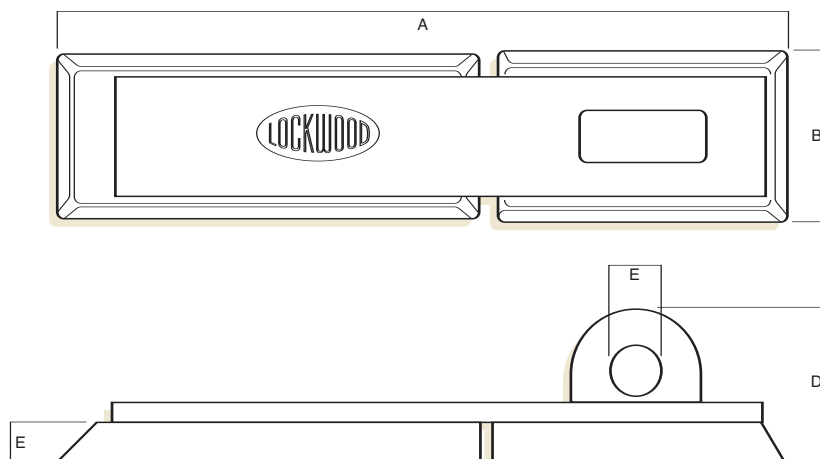
For the best results it is recommended that a Lockwood padlock with the same security rating as the accessory be selected.

When the padlock and accessory are combined the lower of the two respective ratings will apply.



### Hasp and Staple - Heavy Duty – Dimensions & Ratings

	A	B	C	D	E	Security Rating	Corrosion Resistance Rating
PA/21/190/DP	190	44	9.5	40	14	7	3



## Hasp and Staple - Hinged

Lockwood Hinged Hasp and Staples are designed for general purpose security where flexible mounting is required.

### Catalogue Number

PA/23/160/DP 160 mm long Hasp and Staple

### Features & Specifications

- Double hinged design for added flexibility.
- High cut resistant hardened steel construction with strengthening ribs and rolled edges for added protection.
- Tamper resistant concealed fixing.
- All fasteners included.

### Security

Security Rating 6  
Corrosion Rating 3

The security rating was achieved using the fasteners supplied in the pack. The use of fasteners other than those supplied may affect the security of this product.

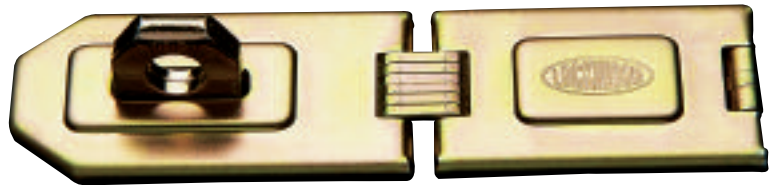
### Pack Variations

Available in display pack only.

### Choosing the Right Padlock

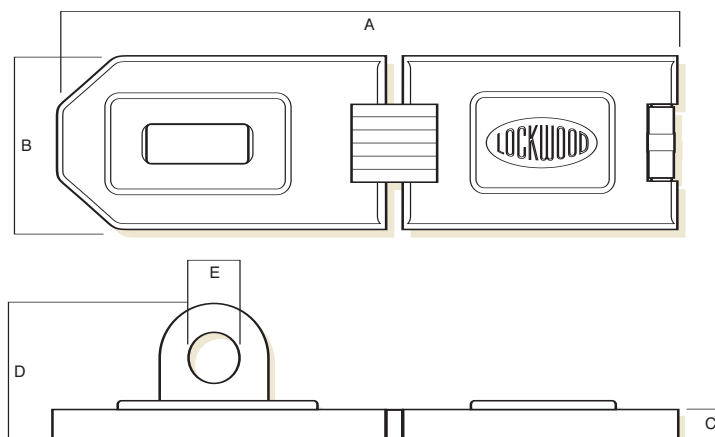
For the best results it is recommended that a Lockwood padlock with the same security rating as the accessory be selected.

When the padlock and accessory are combined the lower of the two respective ratings will apply.



## Hasp and Staple - Hinged - Dimensions & Ratings

	A	B	C	D	E	Security Rating	Corrosion Resistance Rating
PA/23/160/DP	160	46	9	31	12.5	6	3



## Padlock Accessories

### Hasp and Staple – Pivoting

Lockwood Pivoting Hasp and Staples combine a compact swing away designed with high security.

#### Features & Specifications

- Pivoting hasp design for added flexibility.
- High cut resistant hardened steel construction.
- Bolt through tamper resistant concealed for added strength and security.
- All fasteners included.

#### Security

Security Rating 7  
Corrosion Rating 3

The security rating was achieved using the fasteners supplied in the pack. The use of fasteners other than those supplied may affect the security of this product.

#### Pack Variations

Available in display pack only.

#### Choosing the Right Padlock

For the best results it is recommended that a Lockwood padlock with the same security rating as the accessory be selected.

When the padlock and accessory are combined the lower of the two respective ratings will apply.

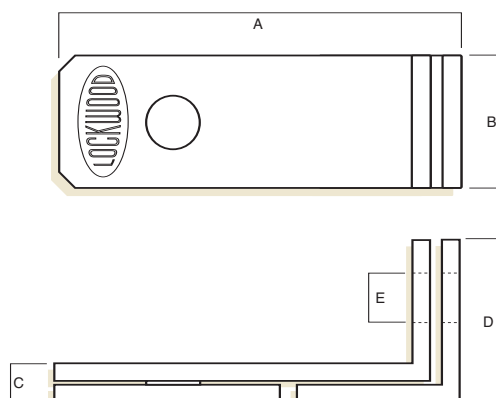
#### Catalogue Number

PA/25/105/DP 105 mm long Hasp and Staple



### Hasp and Staple - Pivoting – Dimensions & Ratings

	A	B	C	D	E	Security Rating	Corrosion Resistance Rating
PA/25/105/DP	105	35	11	42	12	7	3



## Chains

Lockwood chains are designed for both general purpose and maximum security applications.

### Features & Specifications

Hardened alloy or manganese steel links.  
Tough weather resistant vinyl sleeve.  
600 mm and 900 mm lengths.

### Security

Security Rating 6, 7, 8 & 9  
Corrosion Rating 3

The security rating was achieved using the fasteners supplied in the pack. The use of fasteners other than those supplied may affect the security of this product.

### Pack Variations

Available in display pack only.

### Choosing the Right Padlock

For the best results it is recommended that a Lockwood padlock with the same security rating as the accessory be selected.

When the padlock and accessory are combined the lower of the two respective ratings will apply.

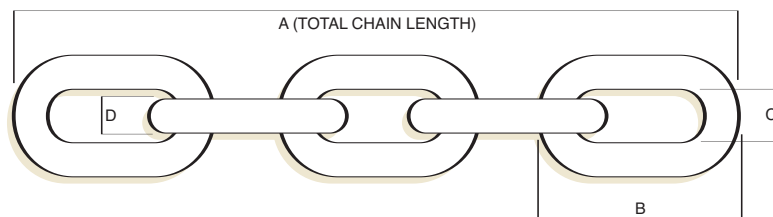
### Catalogue Number

PA/41/600/DP	8 mm dia x 600 mm long manganese steel chain
PA/41/900/DP	8 mm dia x 900 mm long manganese steel chain
PA/42/600/DP	10 mm dia x 600 mm long manganese steel chain
PA/42/900/DP	10 mm dia x 900 mm long manganese steel chain
PA/42/1200/DP	10 mm dia x 1200 mm long manganese steel chain
PA/43/900/DP	12 mm dia x 900 mm long manganese steel chain
PA/44/600/DP	8 mm dia x 600 mm long alloy steel chain
PA/44/1200/DP	8 mm dia x 1200 mm long alloy steel chain



## Chains – Dimensions & Ratings

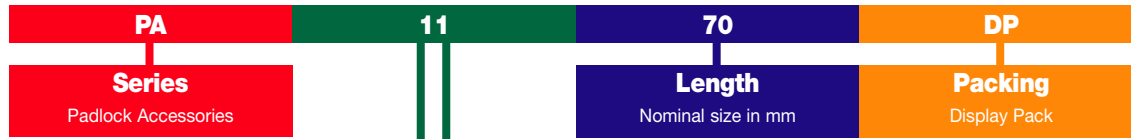
	A	B	C	D	Security Rating	Corrosion Resistance Rating
PA/44/600/DP	600	38	13	8	6	3
PA/44/1200/DP	1200	38	13	8	6	3
PA/41/600/DP	600	38	13	8	7	3
PA/41/900/DP	900	38	13	8	7	3
PA/42/600/DP	600	42	16	10	8	3
PA/42/900/DP	900	42	16	10	8	3
PA/42/1200/DP	1200	42	16	10	8	3
PA/43/900/DP	900	46	20	12	9	3



# Padlock Accessories

## Padlock Accessory Ordering Procedure

**PA/11/70/DP**





LOCK UP WITH LOCKWOOD®

Visit us at: [www.assaabloypacific.com](http://www.assaabloypacific.com)

## ASSA ABLOY Sales Offices & Authorised Agents in Asia Pacific

### Sales Offices - Australia

#### Victoria – Head Office

50 Edward Street  
Oakleigh VIC 3166  
Telephone (03) 8574 3888  
Facsimile (03) 8574 3788

#### Queensland South

450 Sherwood Road  
Sherwood QLD 4075  
Telephone (07) 3373 5200  
Facsimile (07) 3373 5256

#### Queensland North

Ralph Buck Agencies  
15 Mackley Street  
Garbutt QLD 4814  
Telephone (07) 4779 0177  
Facsimile (07) 4775 1480

#### New South Wales – Commercial

Unit 1/16 Atkinson Road  
Taren Point NSW 2229  
Telephone (02) 8543 3700  
Facsimile (02) 9531 7944

#### New South Wales – Residential

Unit 5/30 Foundry Road  
Seven Hills NSW 2147  
Telephone (02) 9624 2666  
Facsimile (02) 9620 9340

#### Abloy Security

5/372 Eastern Valley Way  
Chatswood NSW 2067  
Telephone (02) 9882 6066

#### South Australia

182 Magill Road  
Norwood SA 5067  
Telephone (08) 8139 0403  
Facsimile (08) 8364 1975

#### Western Australia

45 Gladstone Street  
East Perth WA 6004  
Telephone (08) 9227 9588  
Facsimile (08) 9227 8913

#### Tasmania

23 Antill Street  
South Hobart TAS 7000  
Telephone (03) 6223 5404  
Facsimile (03) 6224 0435

### Sales Offices - New Zealand

#### Auckland – Commercial

10 Haultain Street, Eden Terrace  
Auckland, New Zealand  
Telephone +64 (0)9 634 5590  
Facsimile +64 (0)9 634 5589

#### Auckland – Residential

6 Armstrong Road  
North Harbour Industrial Estate  
Albany, Auckland, New Zealand  
Telephone +64 (0)9 415 7111  
Facsimile +64 (0)9 415 7222

#### Christchurch

112 Wordsworth Street, Sydenham  
Christchurch, New Zealand  
Telephone +64 (0)3 348 2294  
Facsimile +64 (0)3 379 4819

#### Wellington

Display Centre, Level 3,  
10 Hutt Road, Petone  
Wellington, New Zealand  
Telephone +64 (0)4 913 4214  
Facsimile +64 (0)4 913 4213

### Manufacturing Plants

#### Victoria

50 Edward Street  
Oakleigh VIC 3166  
Telephone (03) 8574 3888  
Facsimile (03) 8574 3788

#### Queensland

450 Sherwood Road  
Sherwood QLD 4075  
Telephone (07) 3373 5200  
Facsimile (07) 3373 5256

#### New Zealand

6 Armstrong Road  
North Harbour Industrial Estate  
Albany, Auckland New Zealand  
Telephone +64 (0)9 415 7111  
Facsimile +64 (0)9 415 7222



### Export Department

50 Edward Street  
Oakleigh VIC 3166 Australia  
Telephone +61 (0)3 8574 3888  
Facsimile +61 (0)3 8574 3789

### Asian Offices

#### ASSA ABLOY – Malaysia

#### ASSA ABLOY – Singapore

#### ASSA ABLOY – Thailand

#### ASSA ABLOY – Hong Kong

#### ASSA ABLOY – Shanghai

#### ASSA ABLOY – Beijing

#### ASSA ABLOY – Korea

Contact the Export Department,  
Australia for details.

### Worldwide Distributors

Contact the Export Department,  
Australia for details.

## ASSA ABLOY

### Lockwood Guarantee

ASSA ABLOY Australia Pty Limited ("ASSA ABLOY") guarantees its Lockwood products against defects in workmanship and materials. If within the normal working life of a product it is found to be defective, ASSA ABLOY will supply the same or equivalent product free of charge.

All electrical and electronic components used in ASSA ABLOY's range of products excluding batteries are guaranteed for a period of 12 months from the date of proof of purchase, unless stated otherwise.

ASSA ABLOY assumes no liability under the guarantee for the following:

1. Improper installation or failure to follow fitting instructions.
2. Failure due to improper maintenance.
3. Failure due to fair wear and tear.
4. Indirect or consequential loss or damage.
5. Cost of removal and/or replacement.

6. Cost of freight and/or travelling time.

7. The plated finishes Florentine Bronze, Architectural Bronze, Polished Brass, Gold and Satin Brass, "which" are classified as soft finishes. As deterioration is possible under some environmental conditions, these finishes are excluded from this guarantee.

8. Any modification or repairs to a product, as supplied, unless authorised by ASSA ABLOY Australia Pty Limited.

9. Use of replacement parts other than authorised parts.

10. Malfunction or failure of the product due to the use of non-genuine Lockwood parts.

11. Malfunction or failure of the product due to the use of non-specified batteries.

Nothing in the ASSA ABLOY Australia Pty Limited guarantee excludes, restricts or modifies any condition, warranty, right or liability implied or protected by law where to do so would render the Guarantee, or any part of it, void.

